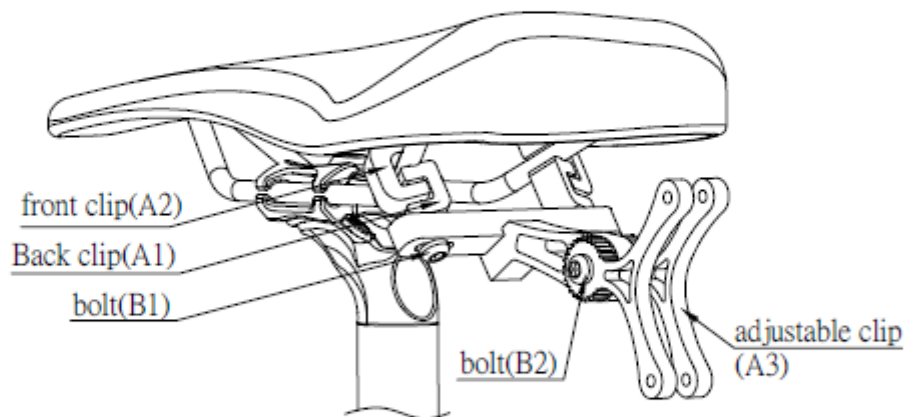


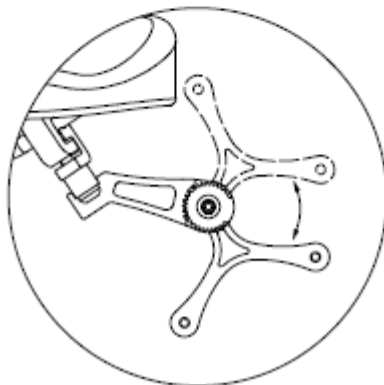


### CD-303 Bottle Cage Holder Assemble With Rail of Saddle

- (1) Fasten (A1,A2) to the saddle , then fasten the bolt(B1) tightly , find picture 1.
- (2) Adjust (A3) to the correct position , then fasten the bolt(B2) tightly, find picture 2.
- (3) Put the bottle cages on the two side of (A3) , find picture 3.



Picture 1



Picture 2



Picture 3